



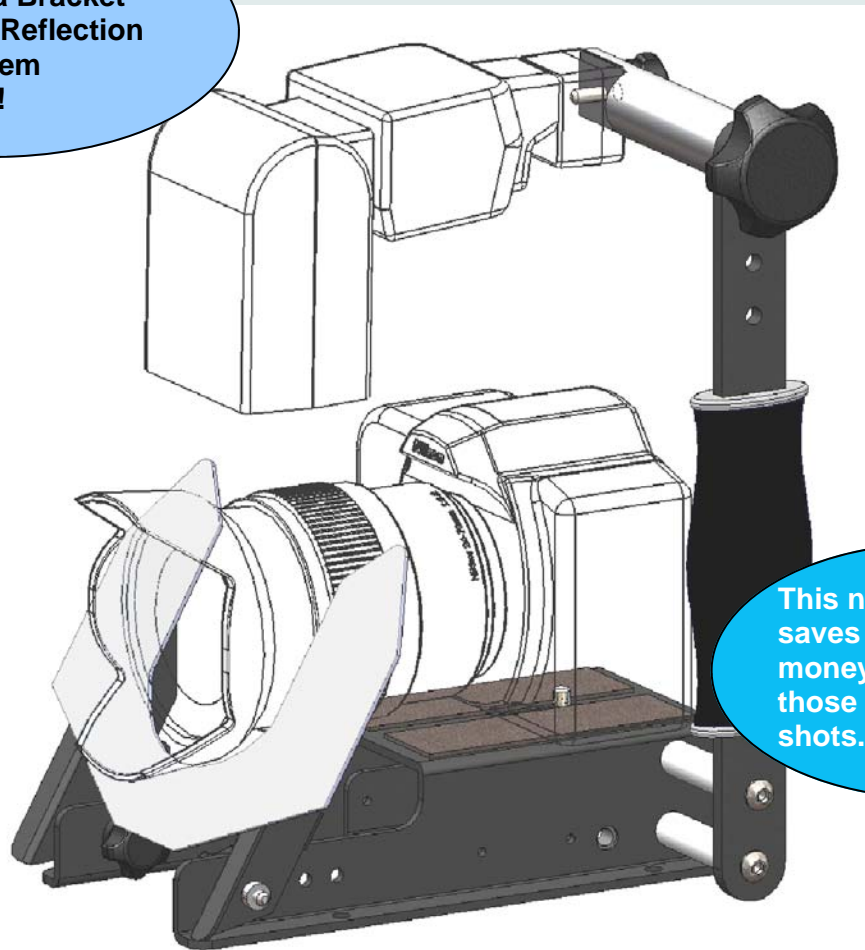
By BTI Inc Model No. JBF-01

Advanced Flash Reflection & Shadow Control System

This unique system helps remove unwanted shadows and reflections when taking photos for portraits, weddings, product photos and all outdoor photo situations.

Minimizing the need for extra equipment to make those perfect custom shots.

Introducing an **ALL NEW** Camera Bracket with a Flash Reflection Control System **ALL in ONE!!**



This new product saves time and money when making those perfect custom shots.

Note: Fits DSLR Cameras.

JB Flash by BTI Inc 9525 Pathway St. Santee Ca 92071

Phone: (619)562-3071 Url: www.jbflash.net e-mail: info@jbflash.net

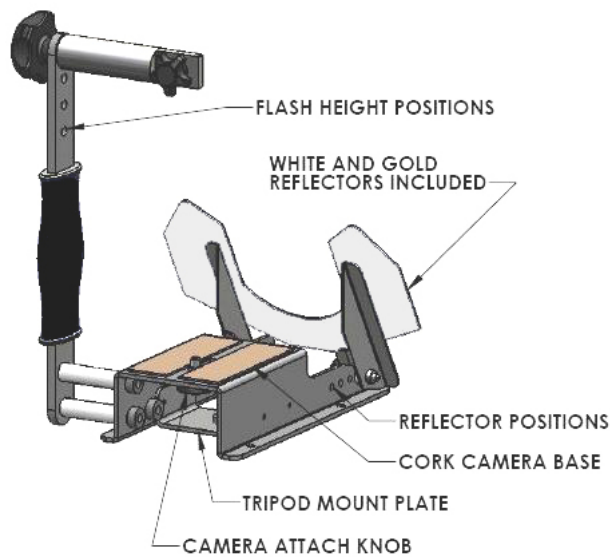
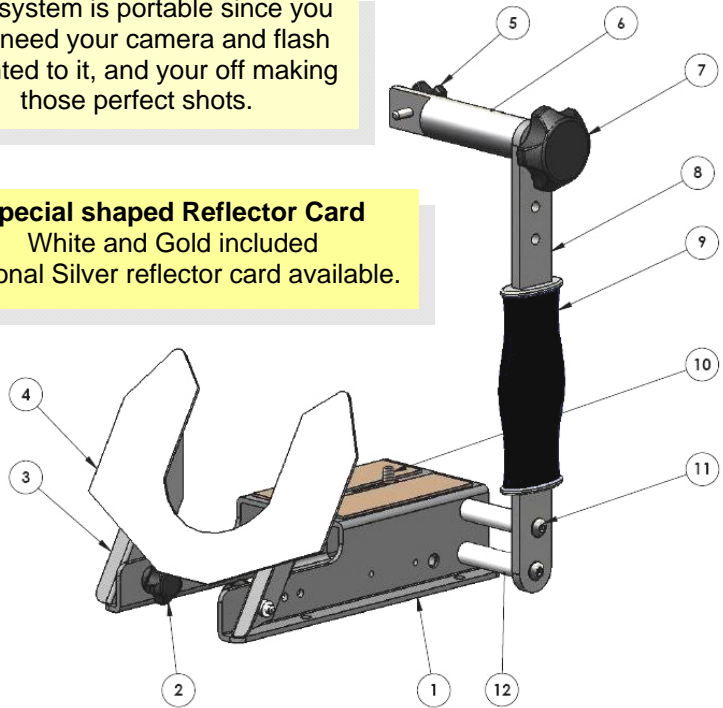
Dealers Welcome!

JB Flash - System Specs

This unique system with a custom shaped reflector will minimize shadows and reflections when taking portraits, weddings, product photos and all outdoor photo situations. It will illuminate your subject regardless of the environment or how you hold the camera, which can be held at any angle. No bouncing off ceilings, no extra lighting, boxes, reflectors, soft light diffusers etc.. This product will eliminate any extra equipment needed to make those perfect custom shots.

This system is portable since you only need your camera and flash mounted to it, and your off making those perfect shots.

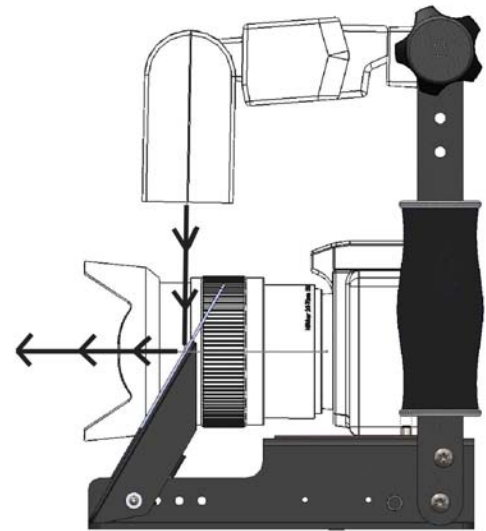
Special shaped Reflector Card
White and Gold included
Optional Silver reflector card available.



Parts List Specs

ITEM NO.

- (1) CAM-200A - Camera base 5052
- (2) CAM-109 - FLASH KNOB (2)
- (3) CAM-201 - REFLECTOR MOUNT (2)
- (4) CAM-210 - REFLECTOR
- (5) CAM-111 - FLASH KNOB
- (6) CAM-103 - FLASH MOUNT
- (7) CAM-110 - FLASH ROTATE HANDLE
- (8) HANDLE
- (9) GRIP HAND GRIP
- (10) CAM-205 - CAMERA ATTACH KNOB
- (11) SBHC - HANDLE MOUNT SCREW (2)
- (12) CAM-208 HANDLE SPACER (2)



Arrows indicated the flash being redirected inline with the camera, which floods the light correctly for better photos.

This system is a light weight camera bracket with a custom flash mount with an angled reflector all-in-one. (Shown here with and without the camera mounted)

JB Flash - Reflection Control System



JB FLASH
Part No. JBF-01
Flash Reflection Control System

This system is a light weight camera bracket with a custom flash mount with an angled reflector all-in-one. (Shown here with and without the camera mounted)

Advantages

- Effectively removes unwanted shadows under the chin etc.
- Improves skin tones & colors.
- Can bounce off ceilings if needed, and also works in open areas.
- Minimize extra lighting, boxes, reflectors or soft light diffusers.
- Better than any other flash bounce method.
- Compact, portable and folds up to store in your camera bag.
- No shadows and glare on the subject and surrounding objects visible to the camera lens and in the process making your picture much clearer & softer with more detail

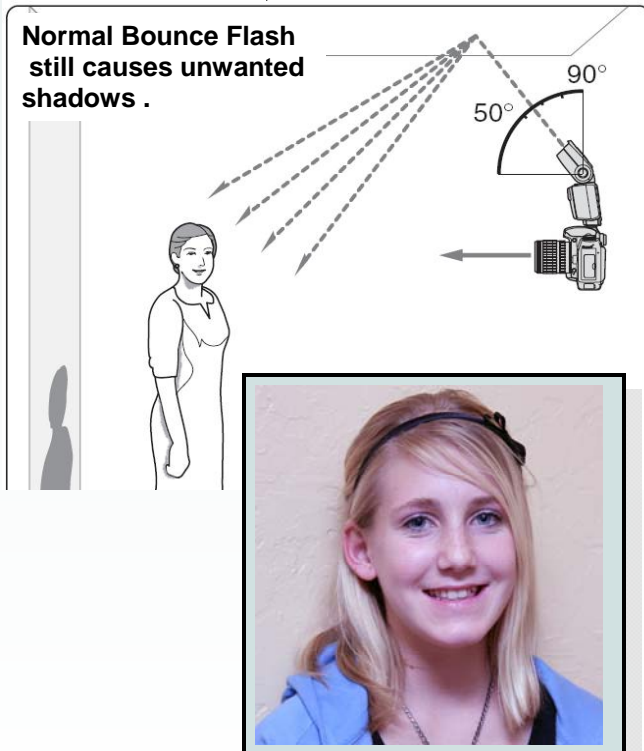
Applications:

Professional portraits, weddings, product images and much more!

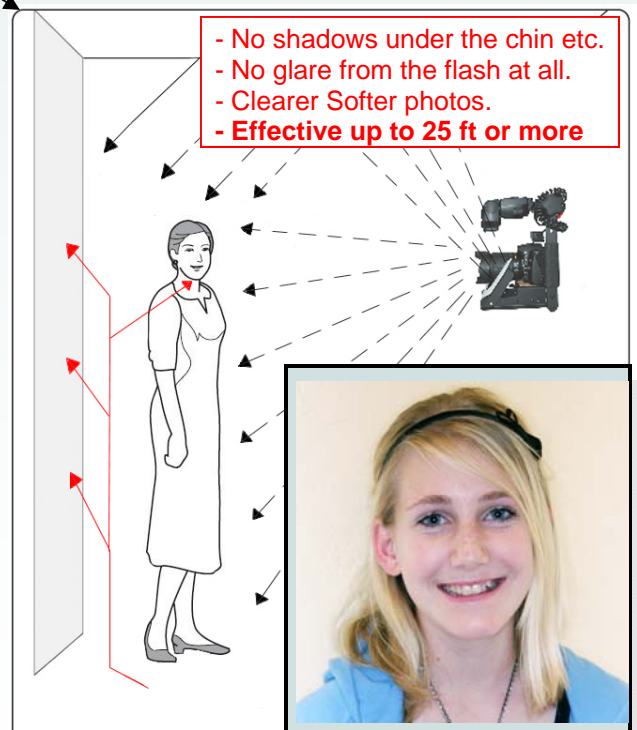


Compact and folds up to store in your camera bag.

From this to THIS



Bounce Flash



JB Flash with Gold Reflector



JB Flash by BTI Inc 9525
Pathway St. Santee Ca 92071
Url: www.jbflash.net e-mail:

Place
Stamp
here



Eliminates shadows in product photos